

ITEM	DESCRIPTION	SPARES No
1	HOB ASSEMBLY	535050001
2	FRONT FACIA ASSEMBLY	535050002
3	LOWER CONTROL PANEL	535050003
4	OUTER SIDE LH	535150008
5	OUTER SIDE RH	535150009
6	OUTER BACK	535050004
7	SPLASH GUARD ASSEMBLY	535050005
8	FAT JUG ASSEMBLY	535050006
9	BRANDING GRID	535010013
10	BURNER BAFFLE	535010014
11	DRIP TRAY ASSEMBLY	535000011
12	SPILL TRAY ASSEMBLY	535000003
13	CONTROL KNOB	535050007
14	DRIP TRAY DEFLECTOR PLATE	535050008
15	LIFTING TOOL	535010018
16	SCRAPER	536000046
17	ST/ ST ADJUSTABLE FEET	535150013

CLEARED FOR PRODUCTION

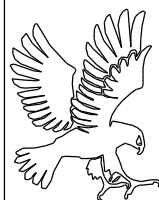
ISSUE	MOD No	ALTERATION	DRAWN BY	DATE
A	1290/1	ISSUED FOR PRODUCTION	S.MOONEY	5/9/11

IF IN DOUBT ASK
DO NOT SCALE
FIRST ANGLE PROJECTION

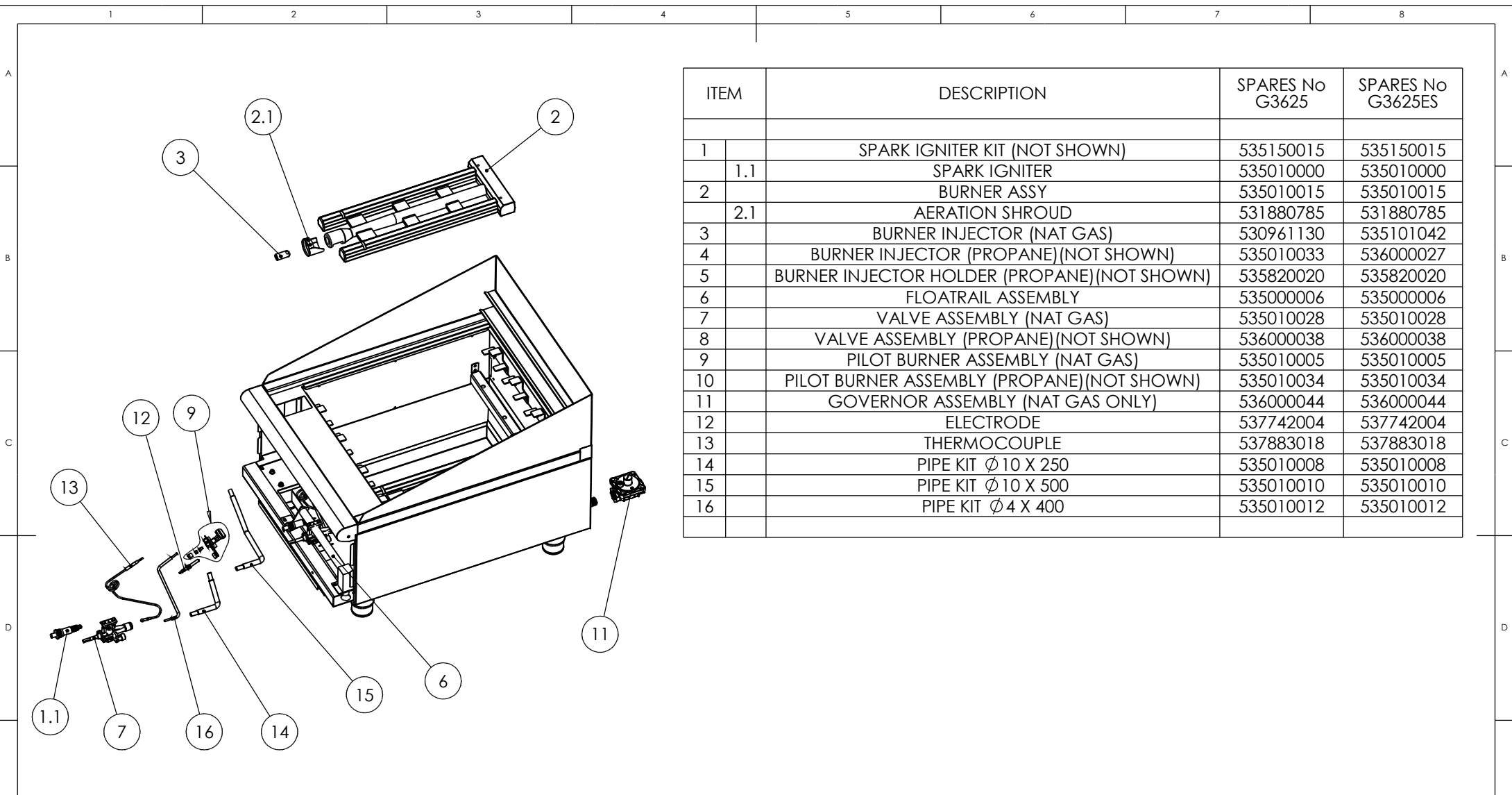
UNLESS OTHERWISE SPECIFIED:
DIMENSIONS ARE IN MILLIMETERS
TOLERANCES:
LINEAR: ±0.5mm
ANGULAR: ±0.5 DEG

DEBUR AND
BREAK SHARP EDGES

WEIGHT: 131080.18g



DRAWN: S.MOONEY	PRODUCT G3625 CHARGRILL	
DATE: 5/9/11	TITLE SPARES - FITMENTS	
SCALE: 1:1	DRAWING NUMBER	ISSUE
MATL:	AD48867	A
THICKNESS:		
BIN No:	PART No:	



ITEM	DESCRIPTION	SPARES No G3625	SPARES No G3625ES
1	SPARK IGNITER KIT (NOT SHOWN)	535150015	535150015
1.1	SPARK IGNITER	535010000	535010000
2	BURNER ASSY	535010015	535010015
2.1	AERATION SHROUD	531880785	531880785
3	BURNER INJECTOR (NAT GAS)	530961130	535101042
4	BURNER INJECTOR (PROPANE)(NOT SHOWN)	535010033	536000027
5	BURNER INJECTOR HOLDER (PROPANE)(NOT SHOWN)	535820020	535820020
6	FLOATRAIL ASSEMBLY	535000006	535000006
7	VALVE ASSEMBLY (NAT GAS)	535010028	535010028
8	VALVE ASSEMBLY (PROPANE)(NOT SHOWN)	536000038	536000038
9	PILOT BURNER ASSEMBLY (NAT GAS)	535010005	535010005
10	PILOT BURNER ASSEMBLY (PROPANE)(NOT SHOWN)	535010034	535010034
11	GOVERNOR ASSEMBLY (NAT GAS ONLY)	536000044	536000044
12	ELECTRODE	537742004	537742004
13	THERMOCOUPLE	537883018	537883018
14	PIPE KIT Ø 10 X 250	535010008	535010008
15	PIPE KIT Ø 10 X 500	535010010	535010010
16	PIPE KIT Ø 4 X 400	535010012	535010012

CLEARED FOR PRODUCTION

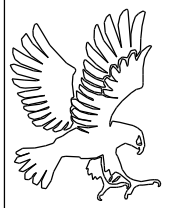
ISSUE	MOD No	ALTERATION	DRAWN BY	DATE
A	1290/1	ISSUED FOR PRODUCTION	S.MOONEY	6/9/11

IF IN DOUBT ASK
DO NOT SCALE
FIRST ANGLE PROJECTION

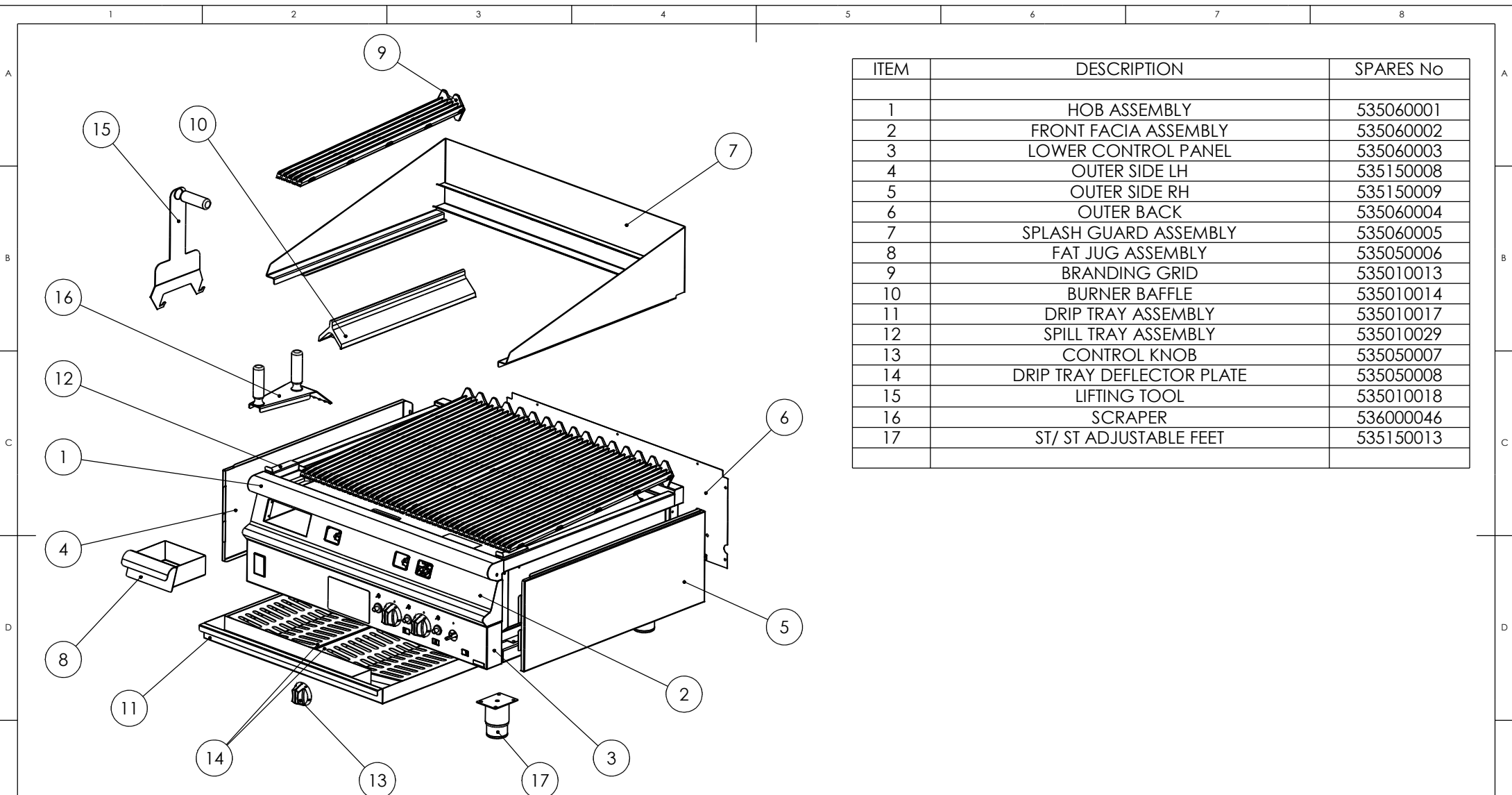
UNLESS OTHERWISE SPECIFIED:
DIMENSIONS ARE IN MILLIMETERS
TOLERANCES:
LINEAR: ±0.5mm
ANGULAR: ±0.5 DEG

DEBUR AND
BREAK SHARP EDGES

WEIGHT: 66234.28g



DRAWN: S.MOONEY	PRODUCT		G3625 CHARGRILL
DATE: 6/9/11	TITLE		SPARES CONTROLS
SCALE: 1:10	DRAWING NUMBER	ISSUE	
MATL:	AD48868	A	
THICKNESS:	FINISH:	PART No:	
BIN No:			



ITEM	DESCRIPTION	SPARES No
1	HOB ASSEMBLY	535060001
2	FRONT FACIA ASSEMBLY	535060002
3	LOWER CONTROL PANEL	535060003
4	OUTER SIDE LH	535150008
5	OUTER SIDE RH	535150009
6	OUTER BACK	535060004
7	SPLASH GUARD ASSEMBLY	535060005
8	FAT JUG ASSEMBLY	535050006
9	BRANDING GRID	535010013
10	BURNER BAFFLE	535010014
11	DRIP TRAY ASSEMBLY	535010017
12	SPILL TRAY ASSEMBLY	535010029
13	CONTROL KNOB	535050007
14	DRIP TRAY DEFLECTOR PLATE	535050008
15	LIFTING TOOL	535010018
16	SCRAPER	536000046
17	ST/ ST ADJUSTABLE FEET	535150013

CLEARED FOR PRODUCTION

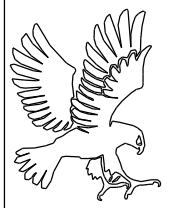
ISSUE	MOD No	ALTERATION	DRAWN BY	DATE
A	1291/1	ISSUED FOR PRODUCTION	S.MOONEY	9/9/11

IF IN DOUBT ASK
DO NOT SCALE
FIRST ANGLE PROJECTION

UNLESS OTHERWISE SPECIFIED:
DIMENSIONS ARE IN MILLIMETERS
TOLERANCES:
LINEAR: ±0.5mm
ANGULAR: ±0.5 DEG

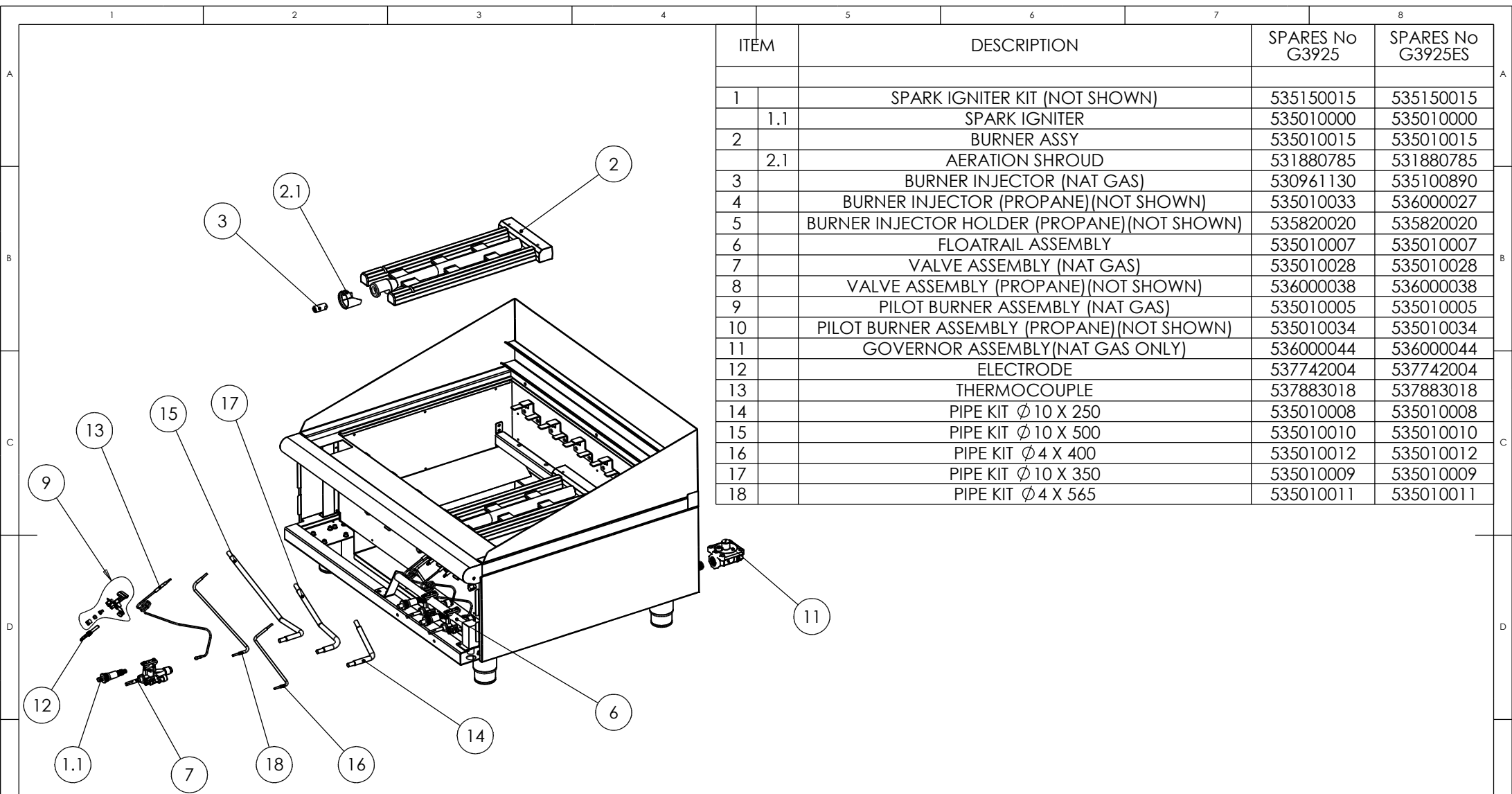
DEBUR AND
BREAK SHARP EDGES

WEIGHT: 84990.89g



DRAWN: S.MOONEY	PRODUCT		G3925 CHARGRILL	
DATE: 9/9/11	TITLE		SPARES - FITMENTS	
SCALE: 1:20	DRAWING NUMBER		ISSUE	
MATL:	THICKNESS:		FINISH:	
BIN No:	PART No:		AD48870	
				A

© NO REPRODUCTION OR PUBLICATION OF THIS DRAWING MAY BE MADE AND NO ARTICLE MAY BE MANUFACTURED OR ASSEMBLED IN ACCORDANCE WITH THIS DRAWING WITHOUT PRIOR WRITTEN CONSENT. THIS PROHIBITION IS A TERM OF ANY CONTRACT RELATING TO THIS DRAWING. RIGHTS RESERVED UNDER THE COPYRIGHT ACT 1956 AS AMENDED BY THE DESIGN COPYRIGHT ACT 1968



ITEM	DESCRIPTION	SPARES No G3925	SPARES No G3925ES
1	SPARK IGNITER KIT (NOT SHOWN)	535150015	535150015
1.1	SPARK IGNITER	535010000	535010000
2	BURNER ASSY	535010015	535010015
2.1	AERATION SHROUD	531880785	531880785
3	BURNER INJECTOR (NAT GAS)	530961130	535100890
4	BURNER INJECTOR (PROPANE)(NOT SHOWN)	535010033	536000027
5	BURNER INJECTOR HOLDER (PROPANE)(NOT SHOWN)	535820020	535820020
6	FLOATRAIL ASSEMBLY	535010007	535010007
7	VALVE ASSEMBLY (NAT GAS)	535010028	535010028
8	VALVE ASSEMBLY (PROPANE)(NOT SHOWN)	536000038	536000038
9	PILOT BURNER ASSEMBLY (NAT GAS)	535010005	535010005
10	PILOT BURNER ASSEMBLY (PROPANE)(NOT SHOWN)	535010034	535010034
11	GOVERNOR ASSEMBLY(NAT GAS ONLY)	536000044	536000044
12	ELECTRODE	537742004	537742004
13	THERMOCOUPLE	537883018	537883018
14	PIPE KIT Ø 10 X 250	535010008	535010008
15	PIPE KIT Ø 10 X 500	535010010	535010010
16	PIPE KIT Ø 4 X 400	535010012	535010012
17	PIPE KIT Ø 10 X 350	535010009	535010009
18	PIPE KIT Ø 4 X 565	535010011	535010011

CLEARED FOR PRODUCTION

ISSUE	MOD No	ALTERATION	DRAWN BY	DATE
A	1291/1	ISSUED FOR PRODUCTION	S.MOONEY	9/9/11

IF IN DOUBT ASK
DO NOT SCALE
FIRST ANGLE PROJECTION

UNLESS OTHERWISE SPECIFIED:
DIMENSIONS ARE IN MILLIMETERS
TOLERANCES:
LINEAR: ±0.5mm
ANGULAR: ±0.5 DEG

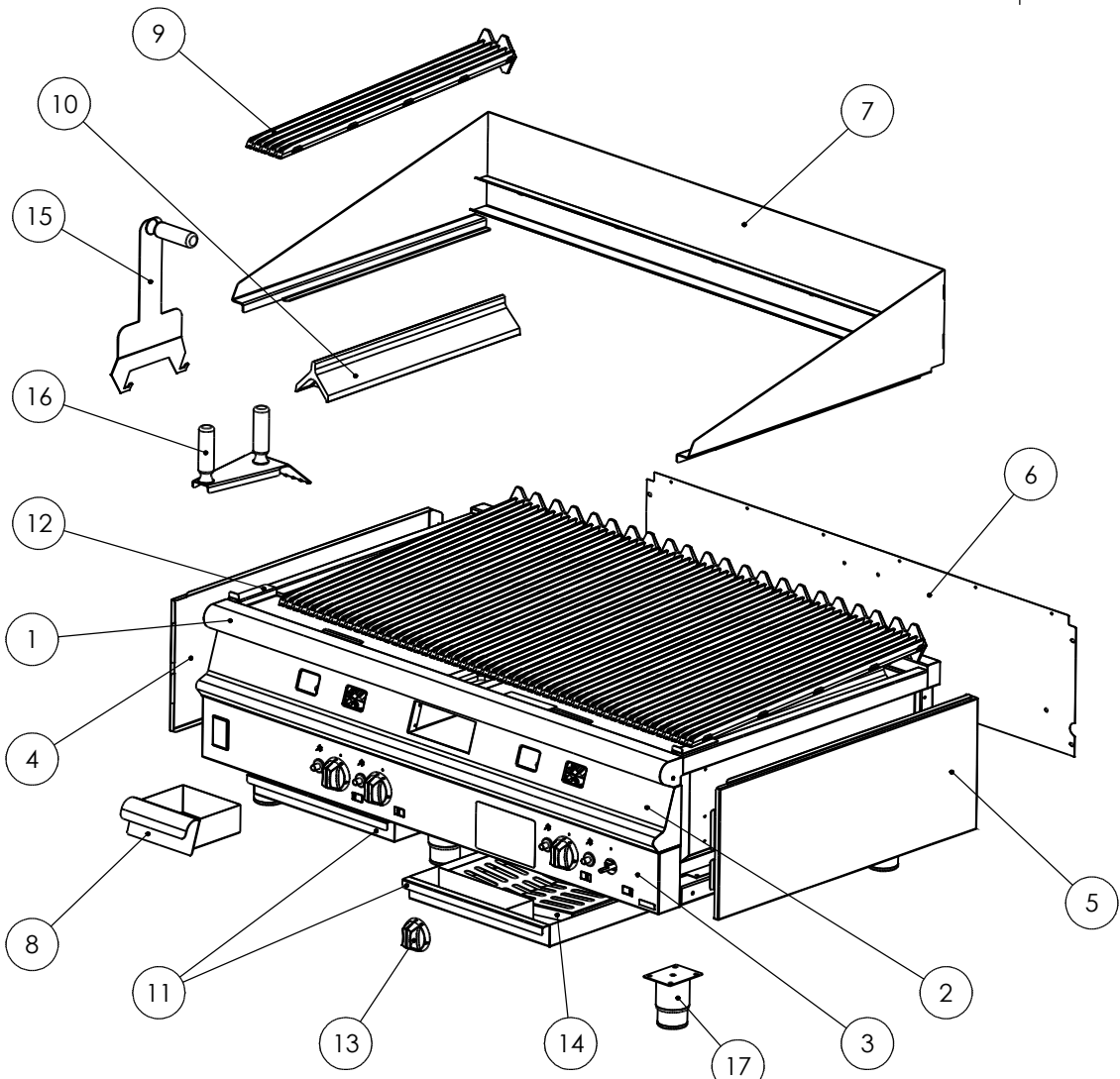
DEBUR AND
BREAK SHARP EDGES

WEIGHT: 84990.87g



DRAWN: S.MOONEY	PRODUCT	G3925 CHARGRILL	
DATE: 9/9/11	TITLE	SPARES - CONTROLS	
SCALE: 1:1	DRAWING NUMBER	AD48871	ISSUE
MATL:	THICKNESS:	FINISH:	A
BIN No:	PART No:		

© NO REPRODUCTION OR PUBLICATION OF THIS DRAWING MAY BE MADE AND NO ARTICLE MAY BE MANUFACTURED OR ASSEMBLED IN ACCORDANCE WITH THIS DRAWING WITHOUT PRIOR WRITTEN CONSENT. THIS PROHIBITION IS A TERM OF ANY CONTRACT RELATING TO THIS DRAWING. RIGHTS RESERVED UNDER THE COPYRIGHT ACT 1956 AS AMENDED BY THE DESIGN COPYRIGHT ACT 1968




ITEM	DESCRIPTION	SPARES No
1	HOB ASSEMBLY	535070001
2	FRONT FACIA ASSEMBLY	535070002
3	LOWER CONTROL PANEL	535070003
4	OUTER SIDE LH	535150008
5	OUTER SIDE RH	535150009
6	OUTER BACK	535070004
7	SPLASH GUARD ASSEMBLY	535070005
8	FAT JUG ASSEMBLY	535050006
9	BRANDING GRID	535010013
10	BURNER BAFFLE	535010014
11	DRIP TRAY ASSEMBLY	535000011
12	SPILL TRAY ASSEMBLY	535020003
13	CONTROL KNOB	535050007
14	DRIP TRAY DEFLECTOR PLATE	535050008
15	LIFTING TOOL	535010018
16	SCRAPER	536000046
17	ST/ ST ADJUSTABLE FEET	535150013

CLEARED FOR PRODUCTION

ISSUE	MOD No	ALTERATION	DRAWN BY	DATE
A	1292/1	ISSUED FOR PRODUCTION	S.MOONEY	12/9/11

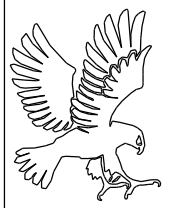
IF IN DOUBT ASK
DO NOT SCALE
FIRST ANGLE PROJECTION



UNLESS OTHERWISE SPECIFIED:
DIMENSIONS ARE IN MILLIMETERS
TOLERANCES:
LINEAR: ±0.5mm
ANGULAR: ±0.5 DEG

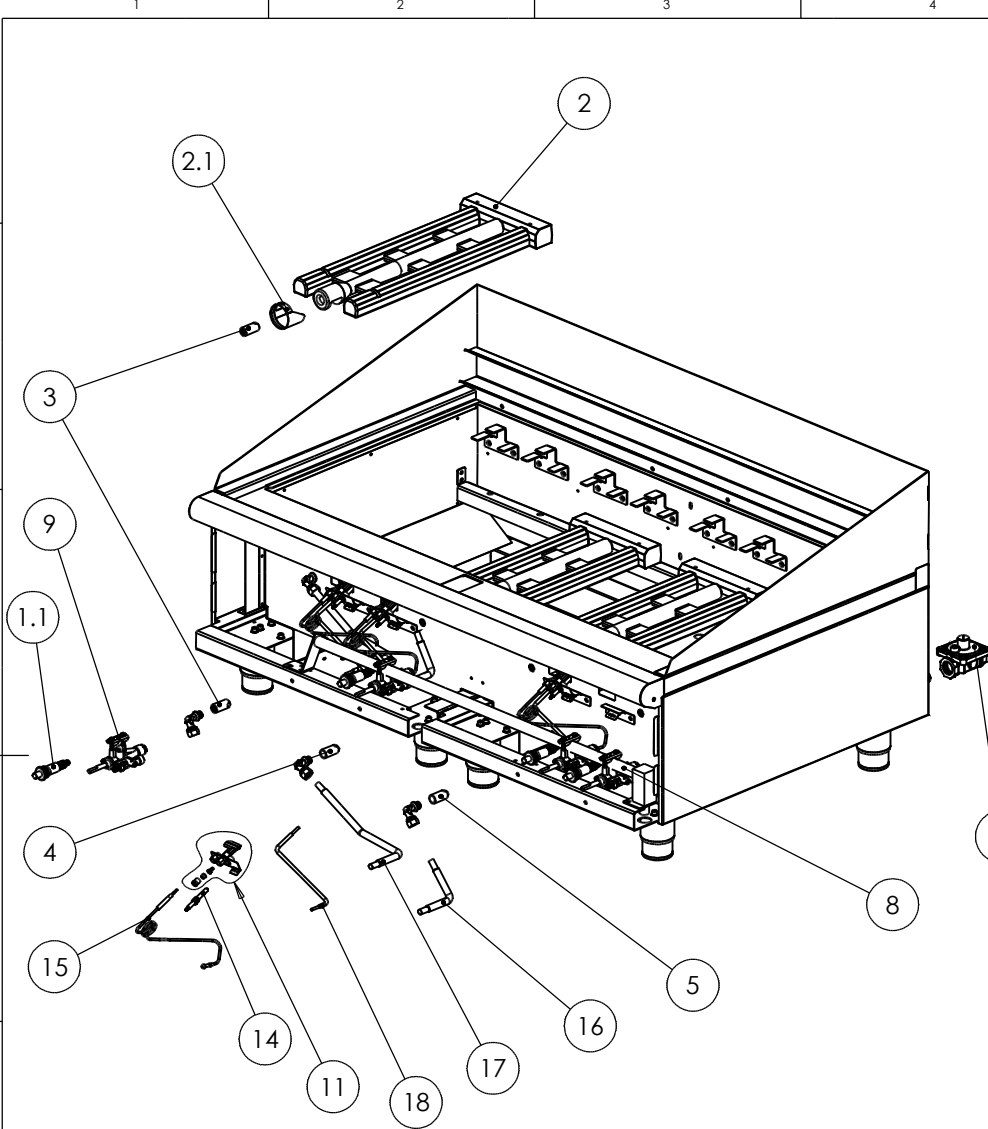
DEBUR AND
BREAK SHARP EDGES

WEIGHT: 243963.68g



DRAWN: S.MOONEY	PRODUCT	G31225 CHARGRILL	
DATE: 12/9/11	TITLE	SPARES - FITMENTS	
SCALE: 1:1	DRAWING NUMBER	AD48872	ISSUE
MATL:	THICKNESS:	FINISH:	A
BIN No:	PART No:		

© NO REPRODUCTION OR PUBLICATION OF THIS DRAWING MAY BE MADE AND NO ARTICLE MAY BE MANUFACTURED OR ASSEMBLED IN ACCORDANCE WITH THIS DRAWING WITHOUT PRIOR WRITTEN CONSENT. THIS PROHIBITION IS A TERM OF ANY CONTRACT RELATING TO THIS DRAWING. RIGHTS RESERVED UNDER THE COPYRIGHT ACT 1956 AS AMENDED BY THE DESIGN COPYRIGHT ACT 1968



ITEM	DESCRIPTION	SPARES No G31225	SPARES No G31225ES
1	SPARK IGNITER KIT (NOT SHOWN)	535150015	535150015
1.1	SPARK IGNITER	535010000	535010000
2	BURNER ASSY	535010015	535010015
2.1	AERATION SHROUD	531880785	531880785
3	BURNER INJECTOR(NAT GAS)	530961130	535101022
4	BURNER INJECTOR (NAT GAS)	535101022	535101022
5	BURNER INJECTOR (NAT GAS)	535030011	535101022
6	BURNER INJECTOR (PROPANE)(NOT SHOWN)	535010033	534220230
7	BURNER INJECTOR HOLDER (PROPANE)(NOT SHOWN)	535820020	535820020
8	FLOAT/RAIL ASSEMBLY	535020006	535020006
9	VALVE ASSEMBLY (NAT GAS)	535010028	535010028
10	VALVE ASSEMBLY (PROPANE)(NOT SHOWN)	536000038	536000038
11	PILOT BURNER ASSEMBLY (NAT GAS)	535010005	535010005
12	PILOT BURNER ASSEMBLY (PROPANE)(NOT SHOWN)	535010034	535010034
13	GOVERNOR ASSEMBLY (NAT GAS ONLY)	536000044	536000044
14	ELECTRODE	537742004	537742004
15	THERMOCOUPLE	537883018	537883018
16	PIPE KIT Ø 10 X 250	535010008	535010008
17	PIPE KIT Ø 10 X 500	535010010	535010010
18	PIPE KIT Ø 4 X 400	535010012	535010012

CLEARED FOR PRODUCTION

ISSUE	MOD No	ALTERATION	DRAWN BY	DATE
A	1292/1	ISSUED FOR PRODUCTION	S.MOONEY	14/9/11

IF IN DOUBT ASK
DO NOT SCALE
FIRST ANGLE PROJECTION

UNLESS OTHERWISE SPECIFIED:
DIMENSIONS ARE IN MILLIMETERS
TOLERANCES:
LINEAR: ±0.5mm
ANGULAR: ±0.5 DEG

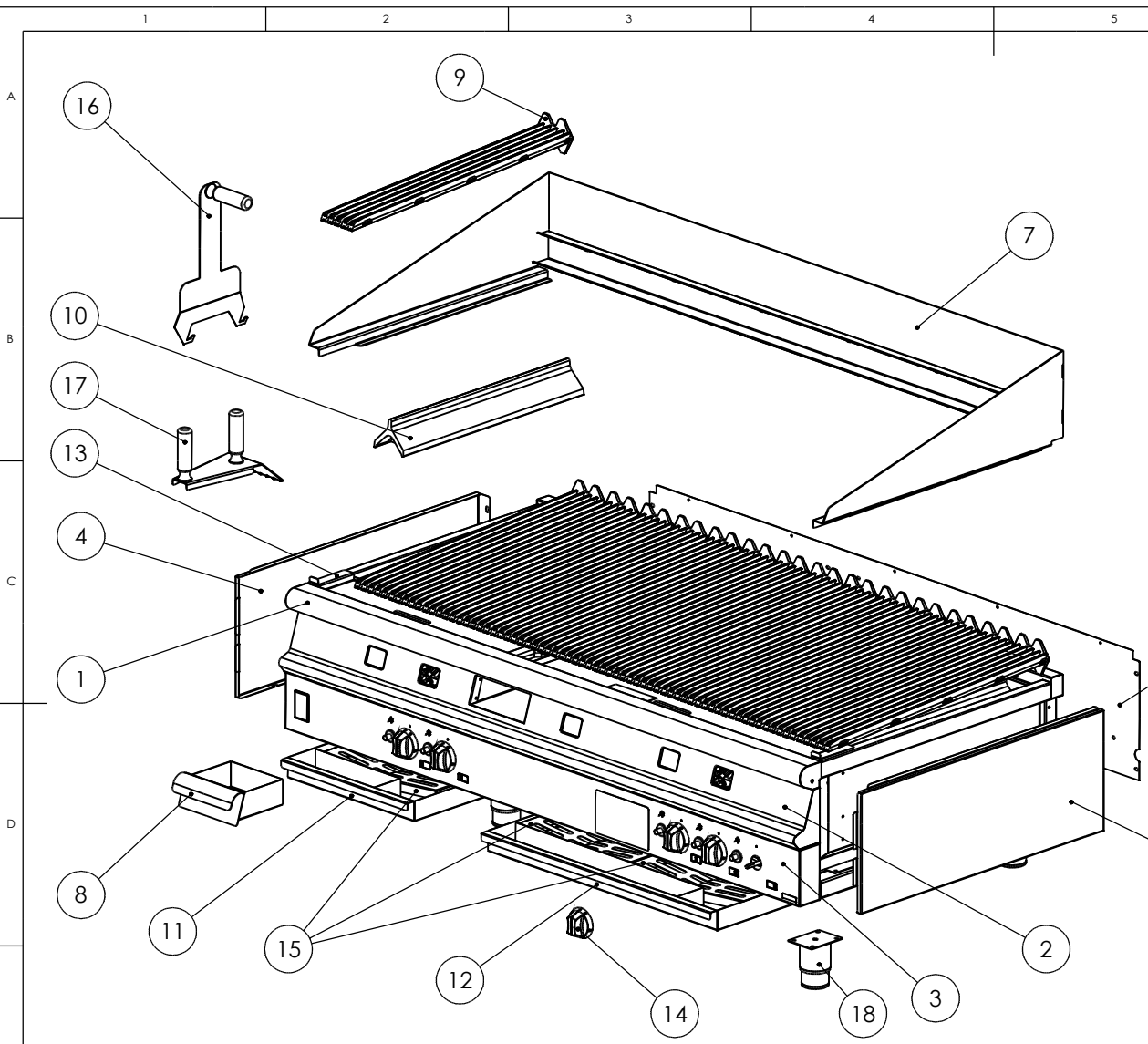
DEBUR AND
BREAK SHARP EDGES

WEIGHT: 113078.68g



DRAWN: S.MOONEY	PRODUCT	G31225 CHARGRILL	
DATE: 14/9/11	TITLE	SPARES CONTROLS	
SCALE: 1:1	DRAWING NUMBER	AD48873	ISSUE
MATL:	THICKNESS:	FINISH:	A
BIN No:	PART No:		

© NO REPRODUCTION OR PUBLICATION OF THIS DRAWING MAY BE MADE AND NO ARTICLE MAY BE MANUFACTURED OR ASSEMBLED IN ACCORDANCE WITH THIS DRAWING WITHOUT PRIOR WRITTEN CONSENT. THIS PROHIBITION IS A TERM OF ANY CONTRACT RELATING TO THIS DRAWING. RIGHTS RESERVED UNDER THE COPYRIGHT ACT 1956 AS AMENDED BY THE DESIGN COPYRIGHT ACT 1968



ITEM	DESCRIPTION	SPARES No
1	HOB ASSEMBLY	535080001
2	FRONT FACIA ASSEMBLY	535080002
3	LOWER CONTROL PANEL	535080003
4	OUTER SIDE LH	535150008
5	OUTER SIDE RH	535150009
6	OUTER BACK	535080004
7	SPLASH GUARD ASSEMBLY	535080005
8	FAT JUG ASSEMBLY	535050006
9	BRANDING GRID	535010013
10	BURNER BAFFLE	535010014
11	DRIP TRAY ASSEMBLY	535000011
12	DRIP TRAY ASSEMBLY	535010017
13	SPILL TRAY ASSEMBLY	535030003
14	CONTROL KNOB	535050007
15	DRIP TRAY DEFLECTOR PLATE	535050008
16	LIFTING TOOL	535010018
17	SCRAPER	536000046
18	ST/ ST ADJUSTABLE FEET	535150013

CLEARED FOR PRODUCTION

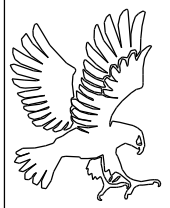
ISSUE	MOD No	ALTERATION	DRAWN BY	DATE
A	1293/1	ISSUED FOR PRODUCTION	S.MOONEY	14/9/11

IF IN DOUBT ASK
DO NOT SCALE
FIRST ANGLE PROJECTION

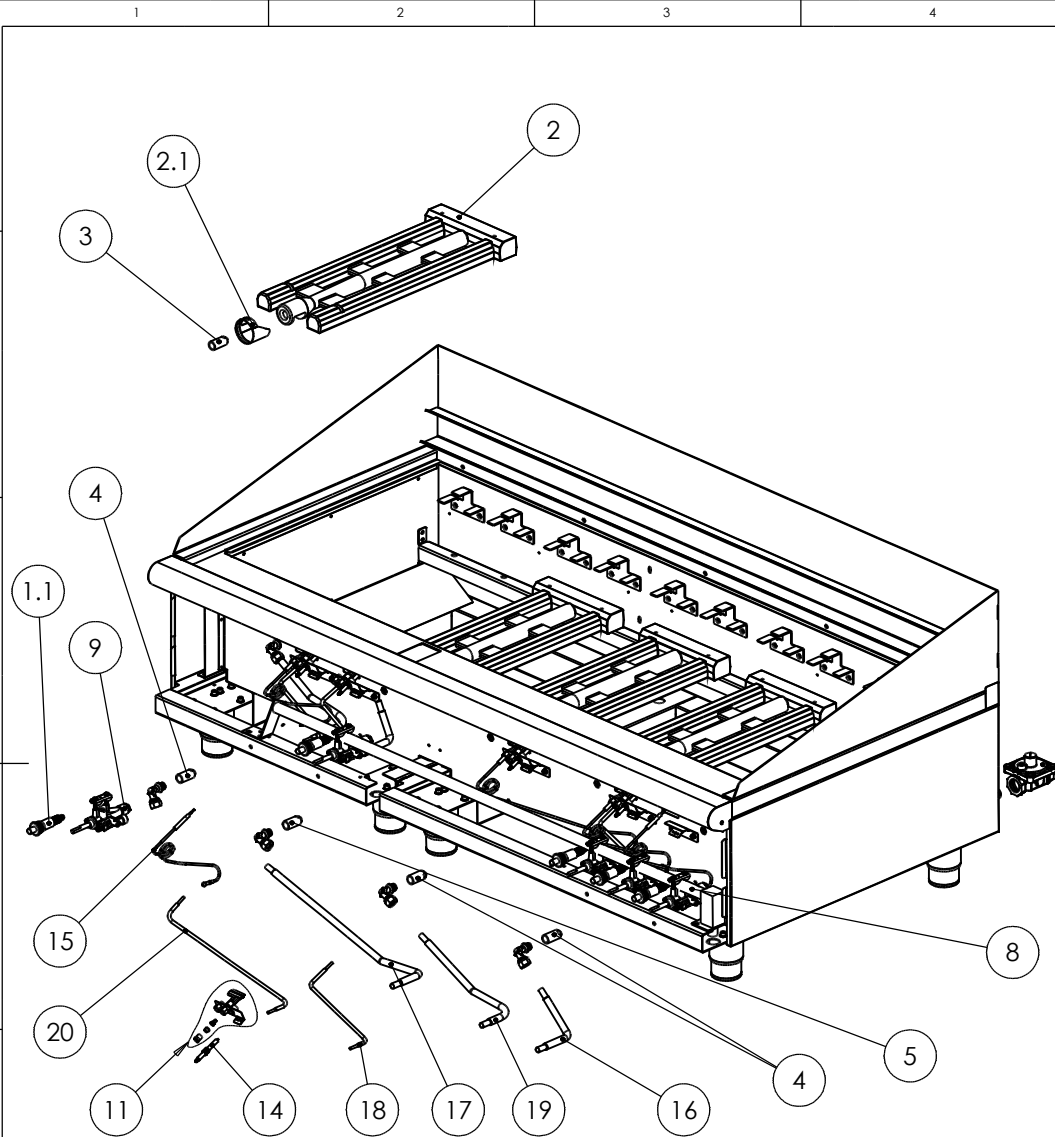
UNLESS OTHERWISE SPECIFIED:
DIMENSIONS ARE IN MILLIMETERS
TOLERANCES:
LINEAR: ±0.5mm
ANGULAR: ±0.5 DEG

DEBUR AND
BREAK SHARP EDGES

WEIGHT: 297656.18g



DRAWN: S.MOONEY	PRODUCT	G31525 CHARGRILL	
DATE: 14/9/11	TITLE	SPARES FITMENTS	
SCALE: 1:1	DRAWING NUMBER	AD48874	ISSUE
MATL:	FINISH:		A
THICKNESS:	PART No:		
BIN No:			



ITEM	DESCRIPTION	SPARES No G31525	SPARES No G31525ES
1	SPARK IGNITER KIT (NOT SHOWN)	535150015	535150015
1.1	SPARK IGNITER	535010000	535010000
2	BURNER ASSY	535010015	535010015
2.1	AERATION SHROUD	531880785	531880785
3	BURNER INJECTOR (NAT GAS)	535030011	534101008
4	BURNER INJECTOR (NAT GAS)	535101022	535080006
5	BURNER INJECTOR (NAT GAS)	534101008	535080007
6	BURNER INJECTOR (PROPANE)(NOT SHOWN)	535830013	536000027
7	BURNER INJECTOR HOLDER (PROPANE)(NOT SHOWN)	535820020	535820020
8	FLOATRAIL ASSEMBLY	535030006	535030006
9	VALVE ASSEMBLY (NAT GAS)	535010028	535010028
10	VALVE ASSEMBLY (PROPANE)(NOT SHOWN)	536000038	536000038
11	PILOT BURNER ASSEMBLY (NAT GAS)	535010005	535010005
12	PILOT BURNER ASSEMBLY (PROPANE)(NOT SHOWN)	535010034	535010034
13	GOVERNOR ASSEMBLY (NAT GAS ONLY)	536000044	536000044
14	ELECTRODE	537742004	537742004
15	THERMOCOUPLE	537883018	537883018
16	PIPE KIT ϕ 10 X 250	535010008	535010008
17	PIPE KIT ϕ 10 X 500	535010010	535010010
18	PIPE KIT ϕ 4 X 400	535010012	535010012
19	PIPE KIT ϕ 10 X 350	535010009	535010009
20	PIPE KIT ϕ 4 X 565	535010011	535010011

CLEARED FOR PRODUCTION

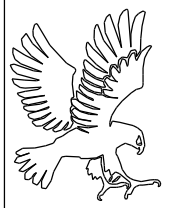
ISSUE	MOD No	ALTERATION	DRAWN BY	DATE
A	1293/1	ISSUED FOR PRODUCTION	S.MOONEY	15/9/11

IF IN DOUBT ASK
DO NOT SCALE
FIRST ANGLE PROJECTION

UNLESS OTHERWISE SPECIFIED:
DIMENSIONS ARE IN MILLIMETERS
TOLERANCES:
LINEAR: $\pm 0.5mm$
ANGULAR: ± 0.5 DEG

DEBUR AND
BREAK SHARP EDGES

WEIGHT: 299523.20g



DRAWN: S.MOONEY	PRODUCT	G31525 CHARGRILL	
DATE: 15/9/11	TITLE	SPARES CONTROLS	
SCALE: 1:1	DRAWING NUMBER	AD48875	ISSUE
MATL:	FINISH:		A
THICKNESS:	PART No:		
BIN No:			

© NO REPRODUCTION OR PUBLICATION OF THIS DRAWING MAY BE MADE AND NO ARTICLE MAY BE MANUFACTURED OR ASSEMBLED IN ACCORDANCE WITH THIS DRAWING WITHOUT PRIOR WRITTEN CONSENT. THIS PROHIBITION IS A TERM OF ANY CONTRACT RELATING TO THIS DRAWING. RIGHTS RESERVED UNDER THE COPYRIGHT ACT 1956 AS AMENDED BY THE DESIGN COPYRIGHT ACT 1968